



\*SOLAREVERTICALI HAS BEEN LICENCED BY THE AUSTRALIAN MADE CAMPAIGN LIMITED TO USE AUSTRALIAN MADE LOGO ON THE SOLAREVERTICALI IN ACCORDANCE WITH THE AMAG LOGO CODE OF PRACTICE. LICENCE ID : 10378

# Solare

## VERTICALI

 [www.solaresystems.com.au](http://www.solaresystems.com.au)     [admin@solaresystems.com.au](mailto:admin@solaresystems.com.au)

### *Operational Controls*

#### **Motorization**

Motorization via remote control, timer, smart phone or tablet, voice control and smart home integration is possible easily with the Solare Verticali.

With the ability to integrate obstacle detection features on some motors our clever design allows for the seamless\* integration of your preferred motor/electronics supplier for trouble free operation.

Wind sensors should be considered on blinds exceeding 8m2.

#### **Manual control**

The easy to operate manual crank operation is suitable for smaller openings with a speedy gearbox for fast operation.

No need to bend down to operate as this clever function is done easily whilst standing.

### ***Distributed By:***

*You can rest assured that your authorized distributor (above) is the very best in your area as we thoroughly scrutineer every distribution application to ensure that our high expectations are mirrored by only the very best and experienced operators who follow our stringent manufacturing, installation and quality control processes.*



### Overview

Cleverly designed in Australia with over 30 years industry experience by our in house R&D team the Solare Verticali was made to combat the elements and protect against wind, rain, UV, insects and offer privacy on your Alfresco, pergola, balcony or terrace area.

Solare Verticali is also perfectly suited as a motorized window blind and is the most wind resistant and extremely durable commercial grade system within the Solare range and offers an alternative to traditional window shades with its sleek modern linear design.

The stylish design incorporates an adjustable side channel enabling the installer to seamlessly install the Solare Verticali in out of square openings minimizing the bulk and messy nature of packers and trim angles.

With various head box styles or simple bracket only mounting options the design elements had extensive focus during the creative stages of development to offer a seamless\* presentation of retractable screen excellence.

### Colour Range

With all mill extrusions almost any colour is possible with 100's of colors and textured finishes available using a durable polyester thermosetting powder coat range.

With ample matt, subtle and neutral colour tones, Colorbond® steel standard colour ranges, or the ever popular textured finishes we are confident of the perfect colour choice for your project.

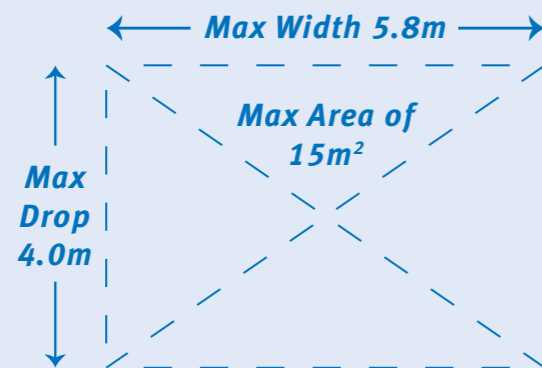
### Fabric Options

For best performance we recommend the use of a high quality poly cotton mesh in either a 2 x 2 basket weave or a fiberglass twill weave for best results.

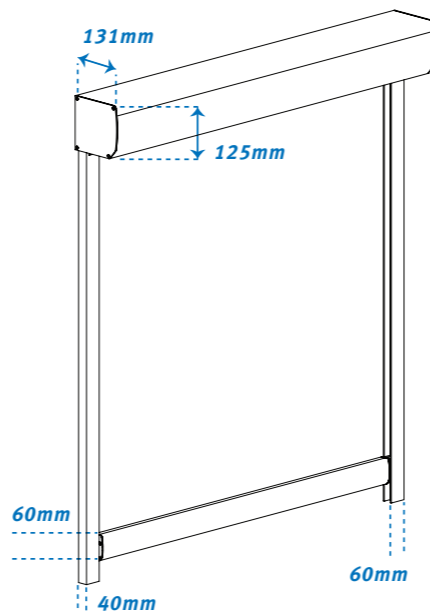
Dimensionally stable clear PVC can also be used\*

### Sizing

Maximum Width: **5.8m**  
 Maximum Drop: **4.0m**  
 Maximum Sq Metre: **15m<sup>2</sup>**



\* Conditions apply

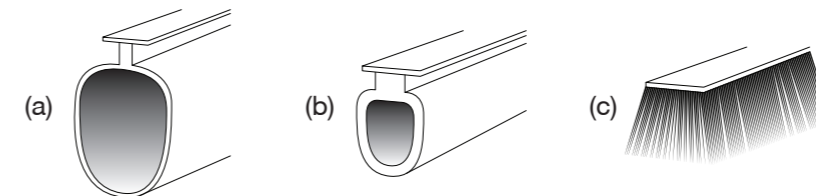


### Bottom Rail

Our intensely weighted bottom rail ensures superior tension is applied to the fabric at all times.

Bottom rail seals – We have 3 options for sealing of the bottom rail which protects the bottom rail when down helping minimize gaps and reduces the likelihood of debris and insect penetration.

- (a) Large rubber round seal ( for out of level areas).
- (b) Small rubber round seal ( sleek and minimal)
- (c) Small Brush pile seal. (Ultimate protection on delicate surfaces)



### Features

- Versatility
- Environmentally friendly
- Uses recyclable components.
- Custom built for every application
- Thermally efficient
- Australian designed
- Australian owned
- Australian made
- Employing local people